

Please read the manual carefully
before operating the appliance

SLIM HOOD

kitchen technique

Newmatic

User's Manual

www.newmatic.com

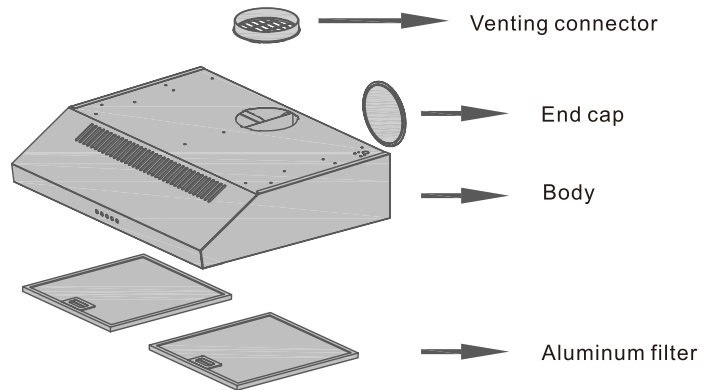


Kenya, Tanzania, Uganda

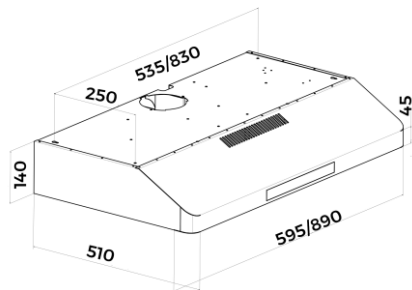
Please contact us for your free installation.
Do not install the appliance by yourself, it is
dangerous & voids the warranty



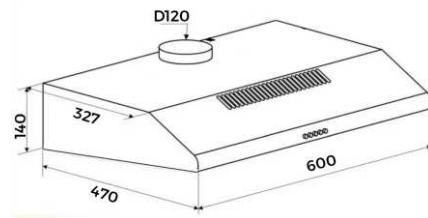
Components



Installation Diagram



H18.6S/H18.9S



HT17.6

Introduction	1
Features	2
Installation.....	2
Installation Procedure.....	4
How To Use	9
Lamp Change	10
Safety Information	11
Troubleshooting	12
Cleaning & Maintenance	13
Electrical Diagram	13
Specifications	14

1.1 This appliance has been manufactured with materials and processes that respect the environment. We hope that you will continue this important consideration in the operation of this appliance & the disposal of the packaging materials, thank you.

1.2 The installation work must be undertaken by a qualified technician experienced in cooker hood installation. Please connect the correct power rating.

1.3 The manufacturer disclaims all liability for any damage or injury caused as a result of not following the instructions for installation contained in the following text.

1.4 The appliance is not intended for use by young children or infirm persons without supervision.

1.5 Young children should be supervised to ensure that they do not play with the appliance.

1.6 The maximum number of hobs covered by range hood should not exceed 5 burners.

1.7 Any modifications to the appliance, electric wire and plug is dangerous & voids the warranty.

Features

2.1 This appliance is manufactured from top quality materials, and offers superb streamlined effects.

2.2 With high suction power and low noise, it is designed to remove cooking fumes from your kitchen quietly & effectively.

Installation

3.1 This item should be fitted by a competent person or fitter who should only use the right screw fixing where applies.

3.2 Ensure that the wall to be installed on is sufficiently sturdy to carry the weight of the hood. It should be mounted level for best performance.

3.3 Do not connect to a common vent with other appliance such as gas heater, water heater, laundry dryer etc.

3.4 The duct should not be bent more than $\geq 120^\circ$ from the one way valve outlet to the kitchen vent.

3.5 Check to make sure that the electric chord is not in contact with sharp edges of the appliance.

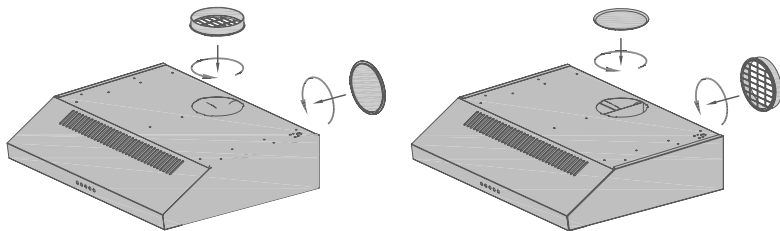
3.6 Be sure that the plug is accessible after installation.

Hints for Exhaust Duct Installation

The following rules must be strictly followed to obtain optimal air extraction.

- Keep exhaust duct short and straight
- Do not reduce the size or restrict exhaust duct
- When using flexible duct always install the duct pulled taut to minimize pressure loss
- Failure to observe these basic instructions will reduce the performance and increase noise levels of the range hood

Ensure the exhaust duct selected for installation complies with relevant standards and is fire retardant.



pic1

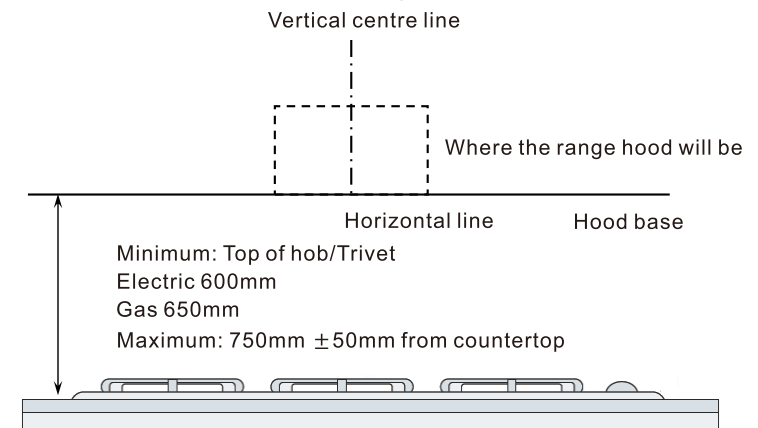
First install the space parts on slim hood. Put the venting connector on top hole meanwhile put the end cap on bottom hole. Or put the end cap on top hole meanwhile put the venting connector on the bottom hole. (see pic 1).

We provide two options to install your range hood, against wall (method A) or into cabinet (method B), choose what kind of method you want and then follow up corresponding instruction

A: Install against Wall

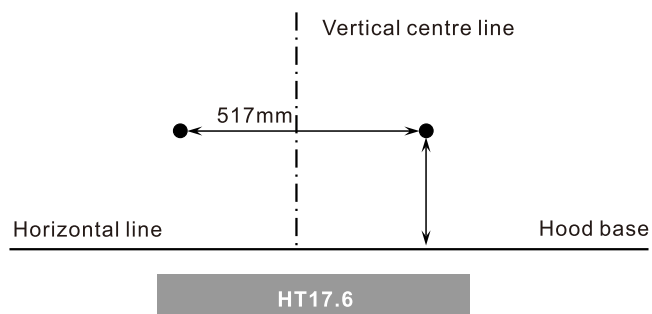
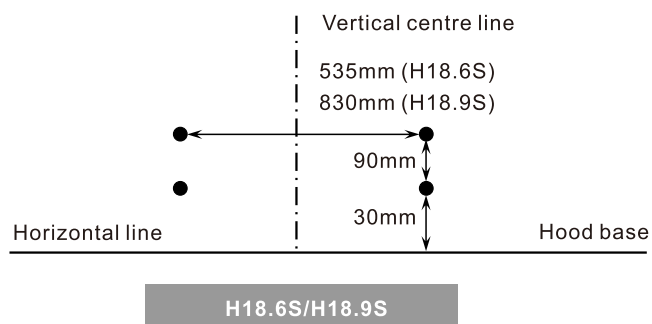
4.1.1 Using a spirit level mark a vertical centre line on the wall where the hood is to be positioned, and a horizontal line where the hood base will be.

NOTE: The distance from the horizontal line to an electrical cooktop underneath must be minimum of 600mm & 650mm. Free space to a gas cook top and a maximum height of 750mm.



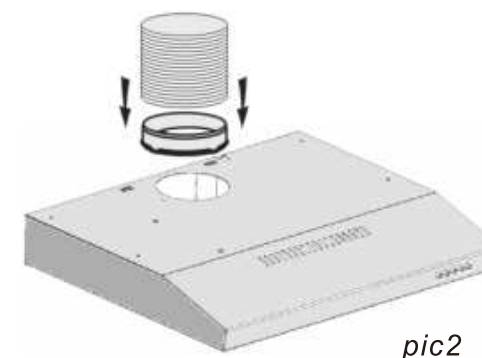
* If the instructions of the hob specify a greater distance than the minimum above, then that shall be the minimum height for installation.

4.1.2 Drill 2 or 4 holes of 8mm diameter on the wall according to below drawing.



4.1.3 Hammer dry wall anchor plugs into holes. Insert 2pcs screws (ST4x30mm) into the 2 holes at the top and fasten, hang the range hood onto the two screws, screw another 2pcs screws (St4x30mm) into the 2 holes at the bottom inside the range hood if have.

4.1.4 Fit the outlet and flexible exhaust pipe* on top of range hood body**. Secure flexible exhaust pipe to outlet with zip tie or duct tape (Not supplied)(see pic 2).



* Flexible exhaust pipe is not included in this packaging

** If you choose air recirculation mode, no need to install the exhaust pipe.

Warning: Failure to install the screws or fixing device in accordance with these instructions may result in electrical hazards.

Installation Procedure

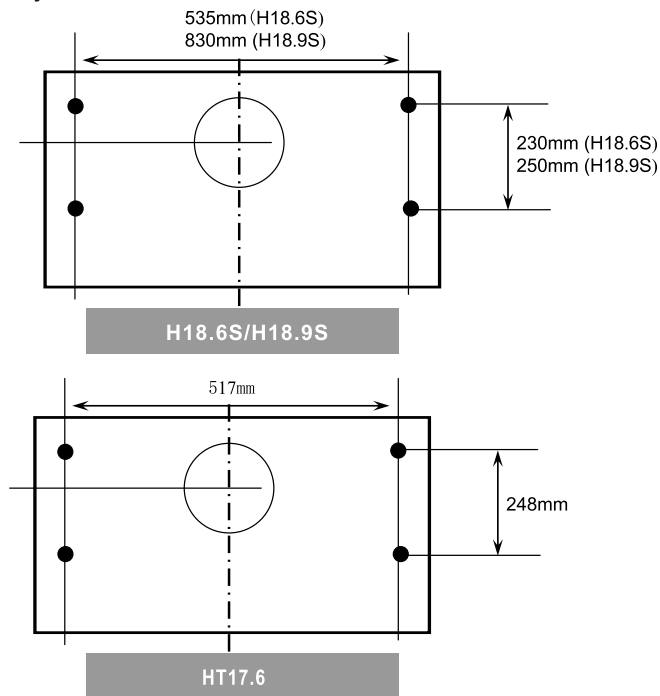
kitchen technique

Newmatic

Installation Procedure

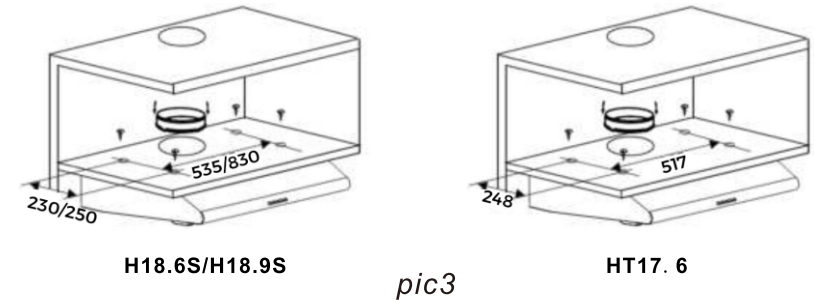
B: Install into Cabinet

4.2.1 According to below drawing to determine where want to place the range hood, and drill 4 holes with 4mm diameter at the hanging board of your cabinet.



4.2.2 Fit the outlet on top of range hood body. (see pic 3)

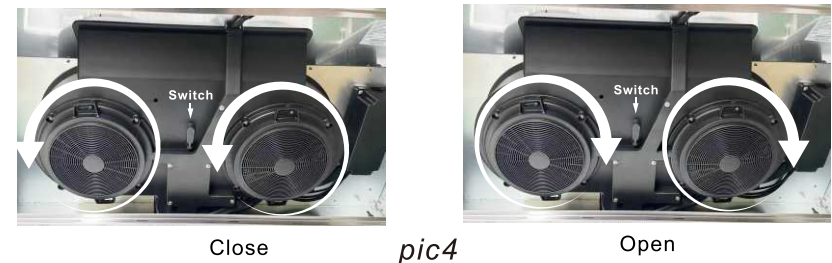
4.2.3 Install the range hood onto the bottom of cabinet board, insert 4pcs screws with the nuts and washers into the holes and fasten.



Warning: Failure to install the screws or fixing device in accordance with these instructions may result in electrical hazards.

Installation of Charcoal Filters

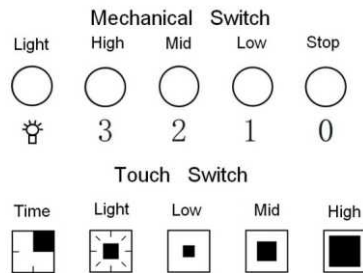
When you choose front recirculation mode, charcoal filter is a must to be installed. Charcoal filter is optional accessory. To install charcoal filter, you will need to fit outlet cover firstly, remove grease mesh filters and fit charcoal filter on. Charcoal Filters are available at your local dealers. (see pic 4)



NOTE: Make sure the switch has been adjusted to the outdoor exhausting mode or recycling mode before operating the range hood. (see pic 4)

3 Speed adjustment (see pic 5)

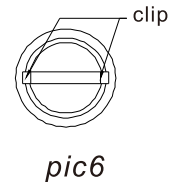
- ◆ Push the Low button, and the motor runs at low speed.
- ◆ Push the Mid button, and the motor runs at mid speed.
- ◆ Push the High button, and the motor runs at high speed.
- ◆ Push the Light button, and the lamp illuminates. Push it again and the lamp will turn off.
- ◆ Push the Stop button, and the motor will stop.



pic 5

Change Led Lamp

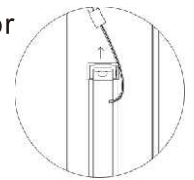
- 6.1.1 Turn off the power supply by unplugging from the wall socket.
- 6.1.2 From the rear of the lamp socket, detach the low-voltage electric connector.
- 6.1.3 Press the lamp's clip to take out the lamp holder (see pic 6).
- 6.1.4 Replace the lamp (LED Lamp Max.1.5W) and then reinstall in the reverse manner..



pic 6

Change Strip Led Lamp

- 6.2.1 Turn off the power supply by unplugging from the wall socket.
- 6.2.1 Unfasten the screws on the glass canopy and remove the glass.
- 6.2.3 Detach the low-voltage electric connector
- 6.2.4 Then unfasten the screws on the lamp (see pic 7).
- 6.2.5 Replace the lamp (LED Lamp Max.2W) and then reinstall in the reverse manner.



pic 7

- ◆ There must be permanent & adequate ventilation of the room when operating the range hood with appliances burning gas or other fuels.
- ◆ Do not check the status of the filters when the range hood is operating, wait at least 30 minutes after switching off to avoid scalding.
- ◆ Do not touch the (Halogen) light within 30 minutes after appliance use.
- ◆ Avoid operating a gas cooker when there is no pan on the stove, it is a fire hazard and may cause damage to the hood filters.
- ◆ Disconnect the electrical plug prior to any maintenance.
- ◆ This appliance is not intended for use by young children and persons unless they have been adequately supervised by a responsible person to ensure that they can use the appliance safely.
- ◆ The range hood is for home use only and is not suitable for outdoor, barbecue, and other commercial applications.
- ◆ The range hood and its filter should be cleaned regularly for best performance. Excessive grease will impede airflow and may cause the motor to overheat.
- ◆ Before cleaning, please confirm that the power is switched off.
- ◆ Building regulations concerning the discharge of exhaust air have to be fulfilled.
- ◆ Don't cook with an open flame under the range hood.
- ◆ For any technical issues ensure that a suitably qualified person effects any repairs or inspection.

If any problem occurs, please detach the plug from the socket and contact the manufacturer or its service agent or a similarly qualified person in order to avoid a hazard.

Problem	Cause	Solution
Light on, but motor does not work	The outlet valve is blocked	Detach flue and duct then turn on the hood to check if the valve opens
	The capacitor has failed	Call for technical service
	The control switch has failed	Call for technical service
Light does not work, motor does not work	No power supply	Plug another appliance into the socket to confirm there is power supply
	Fuse has blown	Open up the plug and replace the 13A fuse
Vibration	The propeller is damaged or unbalanced	Call for technical service
	The hood is not installed correctly	Review the installation instructions & check the installation again for loose screws, brackets or connections
Insufficient suction effect	The distance between the hood and the cooker is improper	Check that the distance is between 650mm to 700mm
	The filters are saturated	Clean the filters from grease residue and replace after drying.

Cleaning & Maintenance Electrical Diagram

kitchen technique

Newmatic

Specifications

Cleaning & Maintenance

Warning: Before cleaning, please ensure that the power is switched off by detaching the plug from the wall socket.

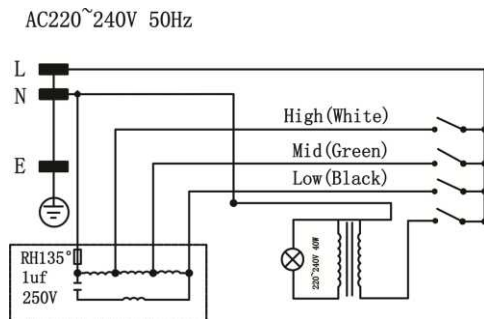
9.1 Clean the surface of hood every week with mild soap or detergent.

Avoid solvents, acid, alkali, scouring pads or powders that could irreparably damage the stainless steel surface.

9.2 The grease filters may be washed using mild soap, detergent or degreasing agent.

9.3 Charcoal filters cannot be cleaned and must be generally replaced after 6 months of use.

Electrical Diagram



Model No.	H18.6S	H18.9S
Power Supply	220-240V, 50Hz	
Rated Input Power	102W	104W
Lighting Power	2W×1	2W×2
Motor Power	50W×2	
Airflow	550m ³ /h	

Model No.	HT17.6
Power Supply	220-240V, 50Hz
Rated Input Power	152W
Lighting Power	2W×1
Motor Power	75W×2
Airflow	400m ³ /h